

iPC-WP... Compact, Portable Scale for Washdown Environments

Features

Durable Construction Equals Quality Performance

Meeting the demands of an IP-65 rating, Ishida's iPC-WP is protected from dust and low pressure water. The stainless steel platter is designed for ease, removal and frequent washing for food and chemical applications. The iPC-WP's sleek design is coupled with accuracy and user friendly operation.

On the Go Convenience

Today's fast-moving business climate demands portable solutions. Quite simply your tools need to be where you are. That's precisely why we created the iPC-WP with both battery power and an AC adapter. When required, the iPC-WP is easy to move and instantly set up at remote locations such as farmers markets and roadside stands. Two D-cell batteries allow efficient, extended operation—as long as 500 hours, and an annunciator lets you know when to change them. The iPC-WP's selectable Auto Power Off function saves power and ensures long battery life.

Large Display & Accessible Buttons

The large 1" LCD panel provides instant weight identification and the optional dual display is ideal for retail applications.

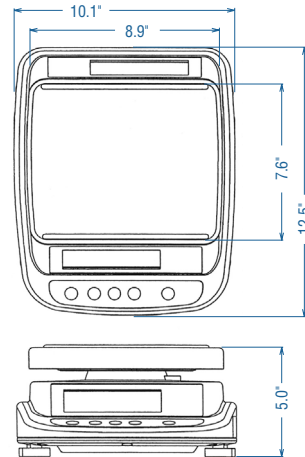


Specifications

Platter size	8.9" x 7.6"		
Capacity and minimum graduation	Multi Interval		
	50 oz/100 oz	3 kg/6 lb	
	50 oz x 0.05 oz	1.5 kg x 0.001 kg	3 lb x 0.002 lb
	100 oz x 0.1 oz	3 kg x 0.002 kg	6 lb x 0.005 lb
		6 kg/15 lb	
		3 kg x 0.002 kg	6 lb x 0.005 lb
	6 kg x 0.005 kg	15 lb x 0.01 lb	
	15 kg/30 lb		
	6 kg x 0.005 kg	15 lb x 0.01 lb	
	15 kg x 0.01 kg	30 lb x 0.02 lb	
Weighing method	Strain guage load cell		
LCD panel	Six digits (7-segment), 1" character height		
Display information	6-digit weight, battery enunciator, decimal point, net weight enunciator, stability enunciator, minus sign, and unit of measurement		
Keyboard	Zero, tare, on/off, unit (lb/kg)		
Power	2 Dry Cell D-Type batteries (up to 500 hours) or AC adapter. (Dry Cell batteries and/or AC adapter are not included) Auto Power Off function (can be set to 60 min., 20 min., or off)		
Operational temperature	23 °F ~ 104 °F (-5 °C ~ 40 °C)		
Weight	6.4 lb (excluding batteries)		
Approvals	UL, NTEP		
Option	AC adapter		

Dimensions

unit: inch



ISHIDA CO., LTD.

44 SANNO-CHO, SHOGOIN, SAKYO-KU, KYOTO, 606-8392 JAPAN
 PHONE: 81-75-771-4141
 FACSIMILE: 81-75-751-1634
 URL: <http://www.ishidajapan.com>

Design and specifications are subject to change without notice.